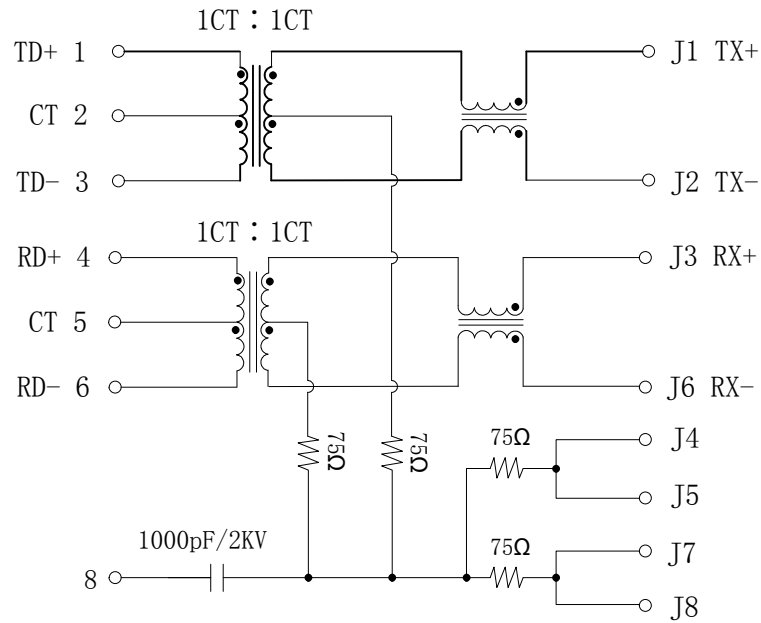


# Schematic:

REV.	ECN NO.	DESCRIPTION	DATE	APPD
A	REL		2010/06/02	

PC BOARD CONNECTIONS

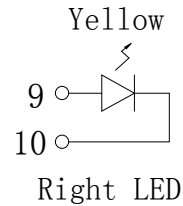
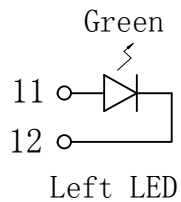


RJ45 CONNECTOR

## Electrical Specification:

TEST NOTES (25±5°C)

- TR: (100KHz, 0.1V);  
TX=1CT:1CT ±2%      RX=1CT:1CT ±2%
- LX: (100KHz, 100mV, 8mA, DC Bias)  
PINS: (P1-P3), (P4-P6)=350uH MIN
- Transmitter filter & Receiver filter Type:  
Balance low pass 100Ω impedance
- HIPOT:  
Input (P1-P3) TO Output (J1-J2):1500VAC 60sec  
Input (P4-P6) TO Output (J3-J6):1500VAC 60sec
- INSERTION LOSS:  
-1.0dB MAX @ 1.0MHz TO 100MHz
- RETURN LOSS:  
-18dB MIN @ 1.0MHz TO 30MHz  
-16dB MIN @ 30MHz TO 60MHz  
-12dB MIN @ 60MHz TO 80MHz
- CROSS TALK:  
-30dB MIN @1.0MHz TO 100MHz
- COMMON MODE REJECTION:  
-30dB MIN @1.0MHz TO 100MHz
- OPERATING TEMPERATURE: -40°C ~ +85°C.



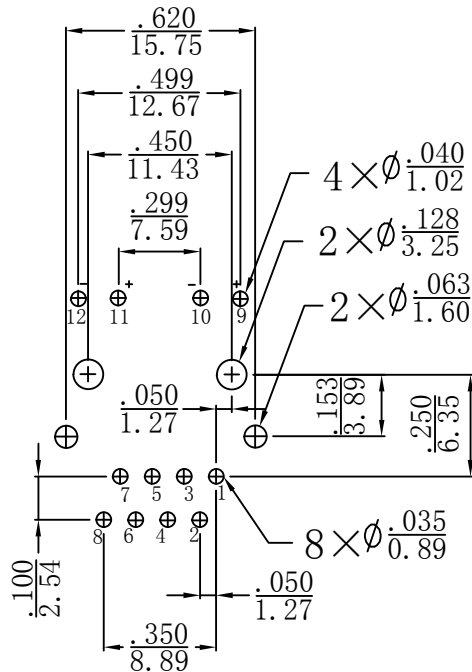
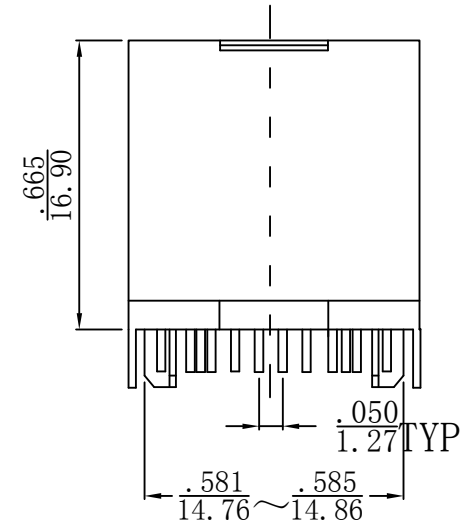
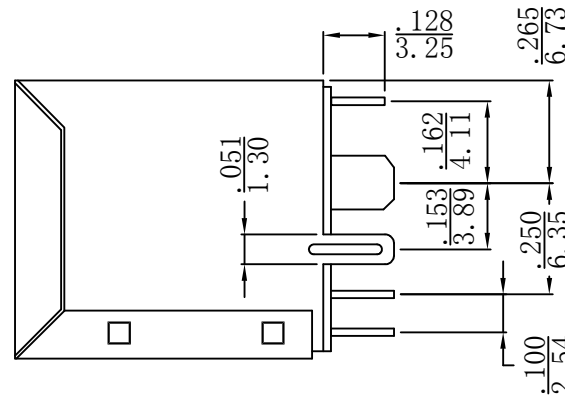
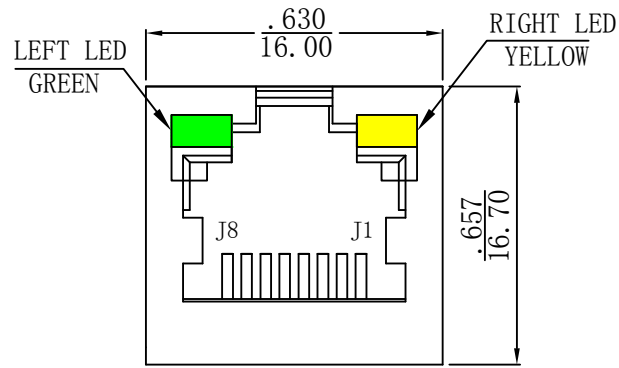
Emitting Color	λp(nm)	VF@IF=20mA	IR @VR=5V
Green	565	1.8~2.6V	10 μA max
Yellow	585	1.8~2.6V	10 μA max



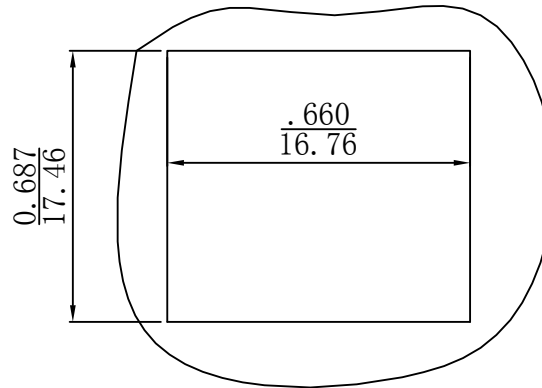
X:X	±0.30	APPD:	LINK-PP INT'L TECHNOLOGY CO., LIMITED
X:XX	±0.25	CHKD:	
X:XXX	±0.05	DR: TOM	TITLE: Vertical RJ45 Connector With 10/100 Magnetic
ANGLES	±1°	UNIT: Inches/mm	PART NO.: LPJD4012BENL
	SCALE: 2/1	SHEET: 1/2	REV: A      DWG NO.: LP10061229

# Mechanical:

REV.	ECN NO.	DESCRIPTION	DATE	APPD
A	REL		2010/06/02	



SUGGESTED PCB LAYOUT (TOP VIEW)



RECOMMENDED PANEL CUTOUT DIMENSION



## NOTES:

1. Designed to support application, such as SOHO (ADSL modems), LAN-on-Motherboard (LOM), hub and Switches.
2. Meets IEEE 802.3 specification
3. Connector Materials:  
Housing: Thermoplastic UL94V-0  
Contact/Shield: Copper alloy  
Shield plating: Nickel  
Contact plating: Gold 6 micro-inches min. In contact area.
4. Wave solder tip temperature: 265°C Max  
Wave solder tip temperature time: 5 Sec Max

X:X	±0.30	APPD:	LINK-PP INT'L TECHNOLOGY CO., LIMITED
X:XX	±0.25	CHKD:	
X:XXX	±0.05	DR: TOM	TITLE: Vertical RJ45 Connector With 10/100 Magnetic
ANGLES	±1°	UNIT: Inches/mm	PART NO.: LPJD4012BENL
	SCALE: 2/1	SHEET: 2/2	REV: A
			DWG NO.: LP10061229

Sales Department A-B2

Sales Engineer / Summer Ming - 明夏

Tel: 0086-752-3322915      Mob: 0086-180-2668-6530

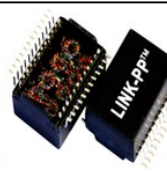
Fax: 0086-752-3161926

E-mail: Summer@link-pp.com

www.link-pp.com

LINK- PP INT'L TECHNOLOGY CO., LIMITED

Jia An Industrial Park, Chenjiang Rd, Zhongkai Hightech Zone, Huizhou City,  
516003, China



LINK- PP INT'L TECHNOLOGY CO., LIMITED

Seris : LPJXXXXXXXX/ LPXXXXXXXX/ LPAXXXXXXX